

AMAROK SERIES

Claremont is a striking-looking yet ergonomic cinema seat offering swing back or fixed back version and features a built-in headrest for added comfort. Coupled with this, its retractable cup holder arms offer a love-seat option making Claremont a highly cost-effective and extremely comfortable seat that will prove a welcome addition or replacement for any cinema.



AK-11602



AK-11602N



AK-11602W



AK-11602XW

FEATURES



AK-11602



AK-11602W/AK-11602XW



AK-11602N

Back

- One-piece, injection moulded, high impact polypropylene outerback for ease of maintenance.
- Optional swing back or fixed back
- 3 kinds of back pleats available
- Foam density: $55 \pm 5 \text{kg/m}^3$



Seat

- One-piece, injection moulded, high impact polypropylene seat pan for ease of maintenance.
- Ergonomic seat cushion design ensures maximum comfort
- Foam density: $65 \pm 5 \text{kg/m}^3$
- Cushion thickness: 120mm (4.7")
- Tip-up seat by counterweight mechanism ensures lifetime of smooth operation

FEATURES

Arm

- Flip-up integral cupholder armrest helps for added user space
- Optional with or without padding

End panel & Leg

- Optional end panel (AK-11602XW)
- Steel leg, powder coated



Other optional features

- Seat number and row letter
- LED-lit aisle light, only available in AK-11602XW
- Leatherette headrest
- Embroidery logo or numbering
- CA117/BS5852 fire-retardant finish on foam or upholstery



Seat number on seat pan

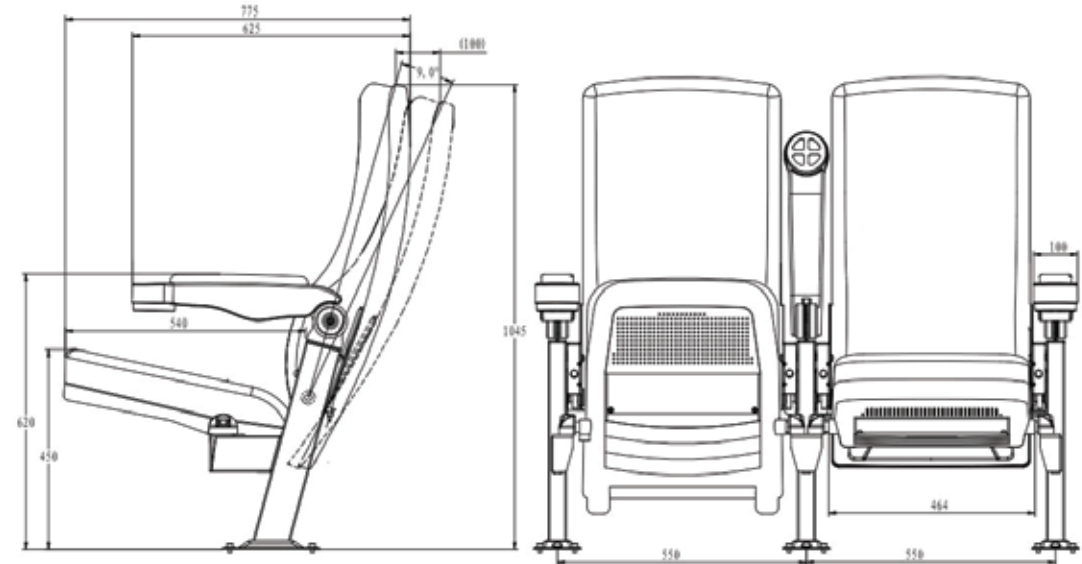


Row letter



Embroidery logo

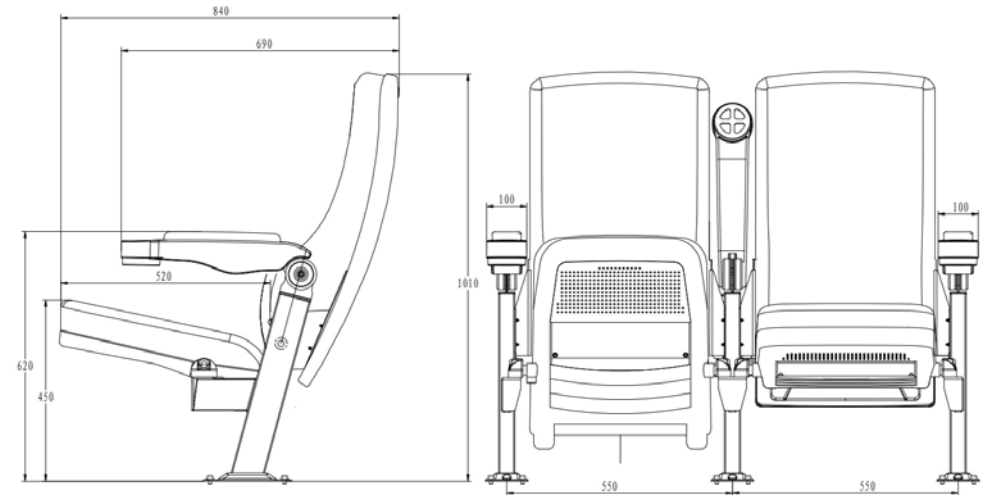
AMAROK AK-11602



Description	MM	INCH
C/C (arm center to center)	550	21.7
Arm width	100	3.9
Overall depth before swing	775	30.5
Overall depth wth full swing	875	34.4
Inner seat depth	540	21.3
Floor to seat height	450	17.7
Floor to armrest height	620	24.4
Overall height	1045	41.1

Note: A tolerance of ± 10 mm (0.4") is allowed for the above dimension.

AMAROK AK-11602N



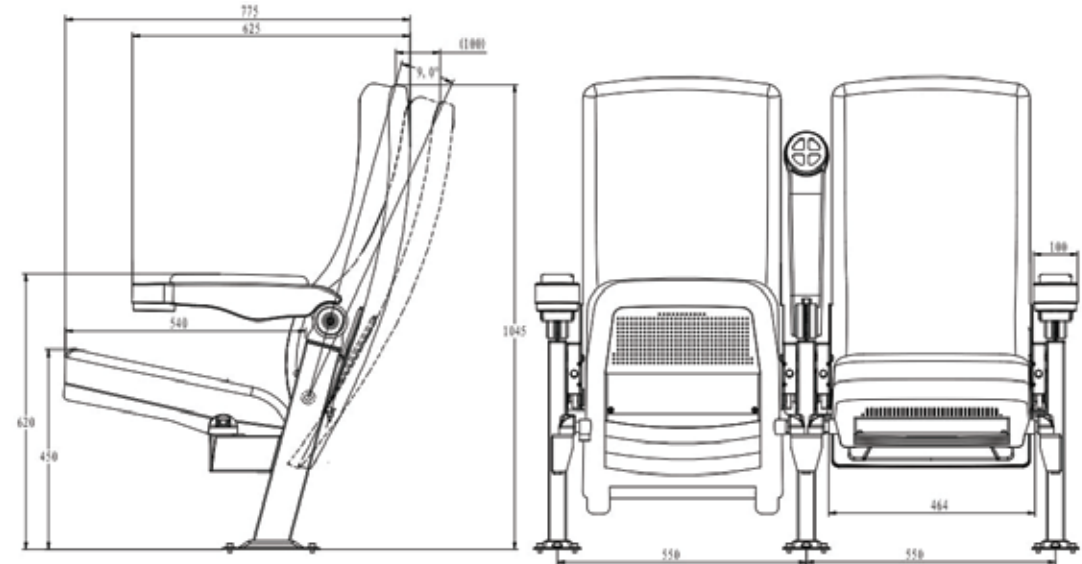
Back cushion in largest back pitch



Description	MM	INCH
C/C (arm center to center)	550	21.7
Arm width	100	3.9
Overall depth	840	33
Inner seat depth	520	20.5
Floor to seat height	450	17.7
Floor to armrest height	620	24.4
Overall height	1010	39.8

Note: A tolerance of ± 10 mm (0.4") is allowed for the above dimension.

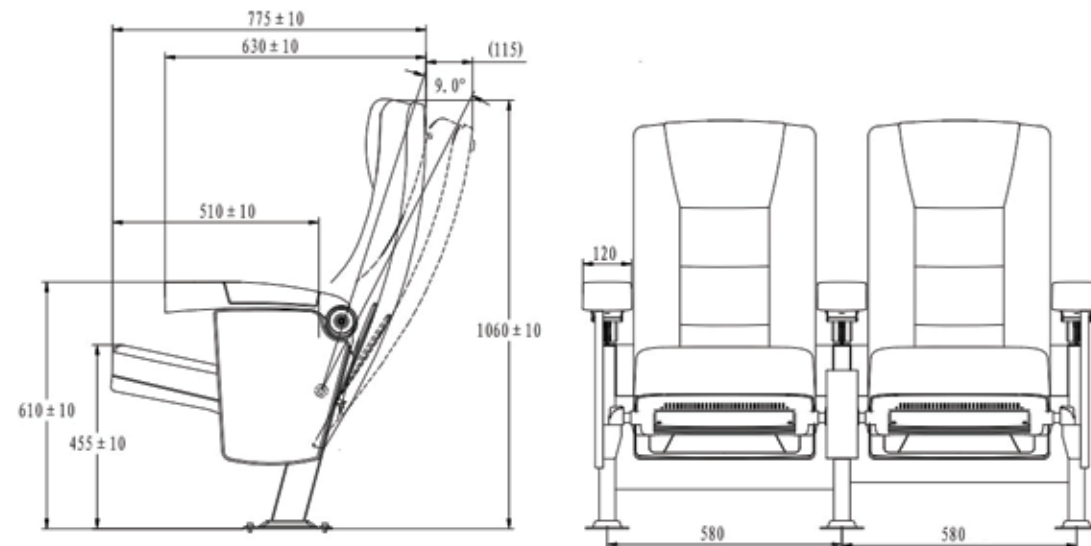
AMAROK AK-11602W



Description	MM	INCH
C/C (arm center to center)	550	21.7
Arm width	100	3.9
Overall depth before swing	775	30.5
Overall depth wth full swing	875	34.4
Inner seat depth	540	21.3
Floor to seat height	450	17.7
Floor to armrest height	620	24.4
Overall height	1045	41.1

Note: A tolerance of ± 10 mm (0.4") is allowed for the above dimension.

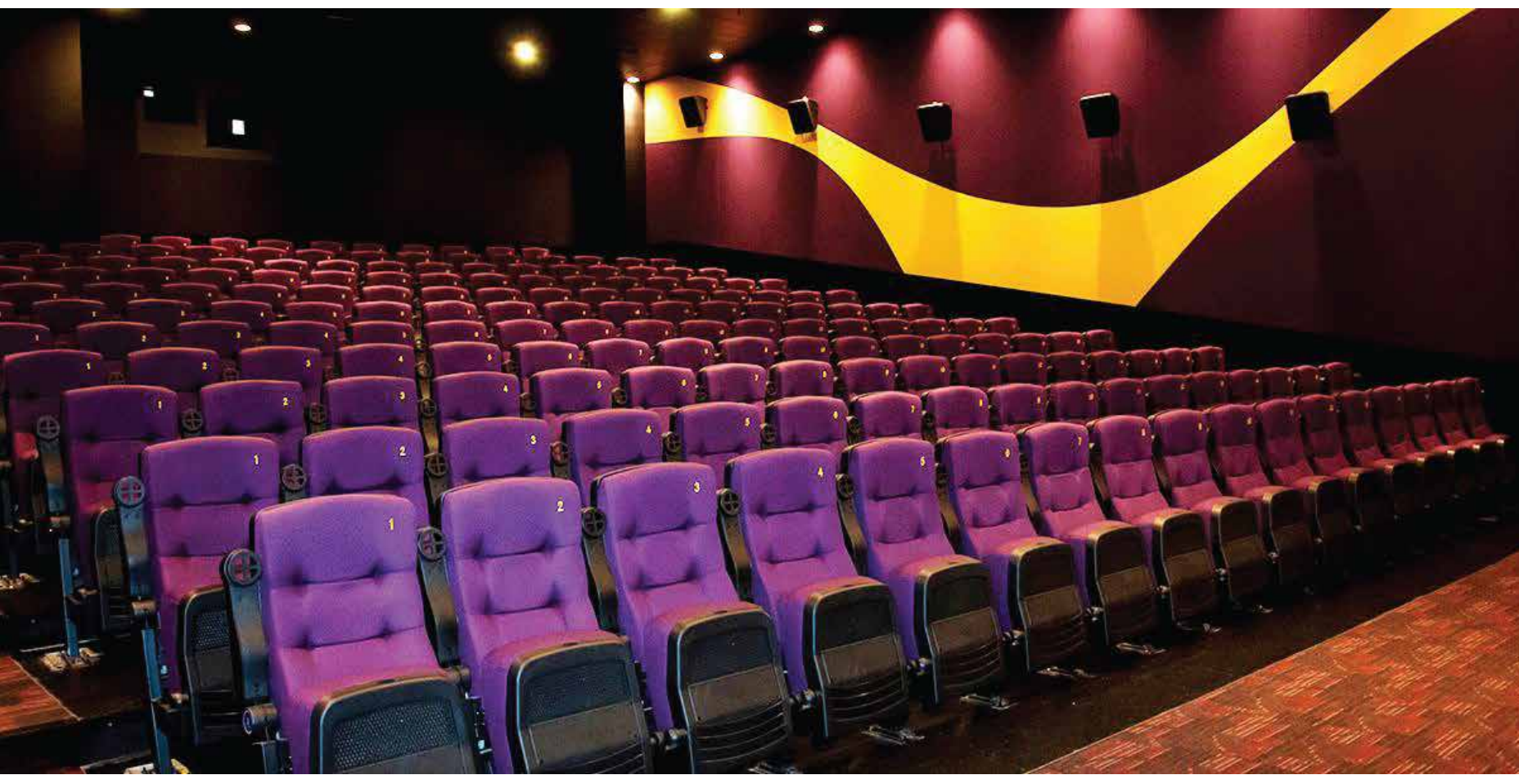
AMAROK AK-11602XW

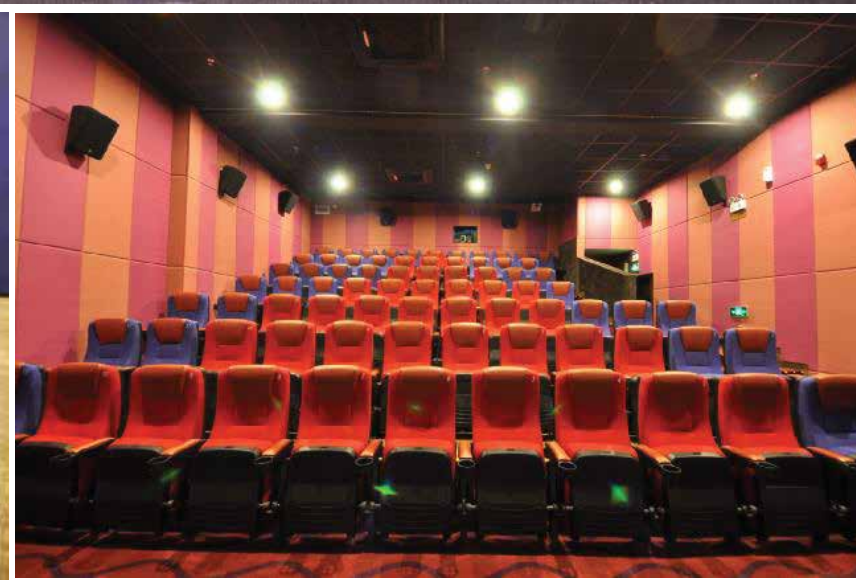


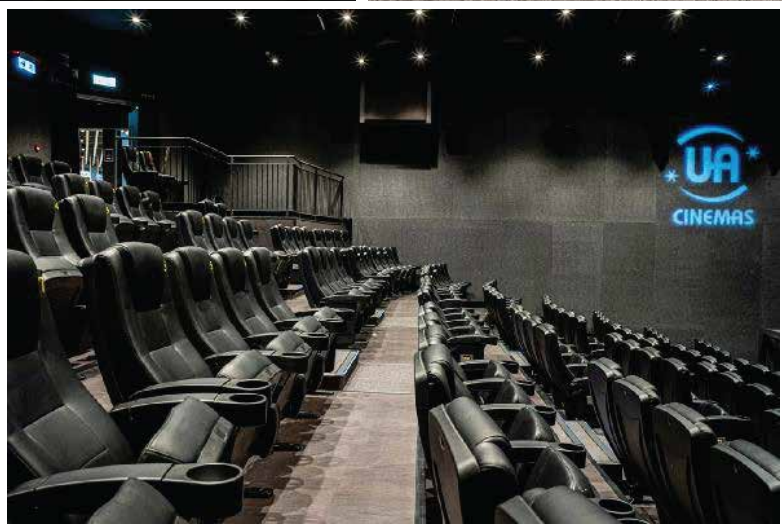
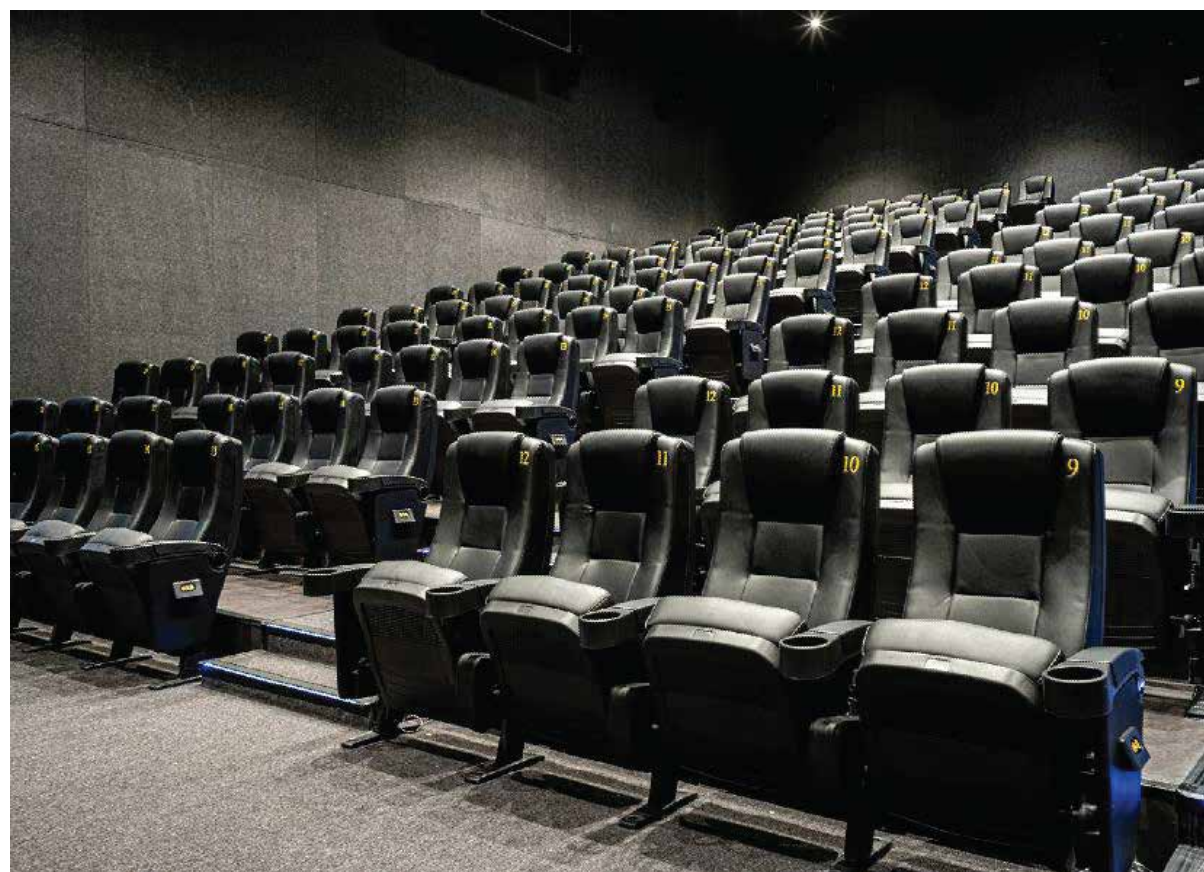
Description	MM	INCH
C/C (arm center to center)	580	22.8
Arm width	120	4.7
Overall depth before swing	775	30.5
Overall depth wth full swing	890	35
Inner seat depth	510	20.1
Floor to seat height	455	17.9
Floor to armrest height	610	24
Overall height	1060	41.7

Note: A tolerance of ± 10 mm (0.4") is allowed for the above dimension.











Your New Seating Experience

LEADCOM CHINA



+0086 400 885 5535



info@leadcomseating.com



14/F, Yinhui Building, No. 117 Longyi Road, Tianhe District,
Guangzhou, Guangdong, China 510635



No. 10th, Section D, High-tech Industrial Zone, Leping Town, Sanshui District,
Foshan City, Guangdong Province, China 528100

LEADCOM CANADA



+1 289 813 2301



wtang@leadcomseating.com



2275 Upper Middle Rd. East, Suite 101, Oakville, ON L6H 0C3

LEADCOM EUROPE



+31 6260 84850



info@leadcomseating.nl



C. De Haasweg 30D, 3721 TK Bilthoven, The Netherlands