

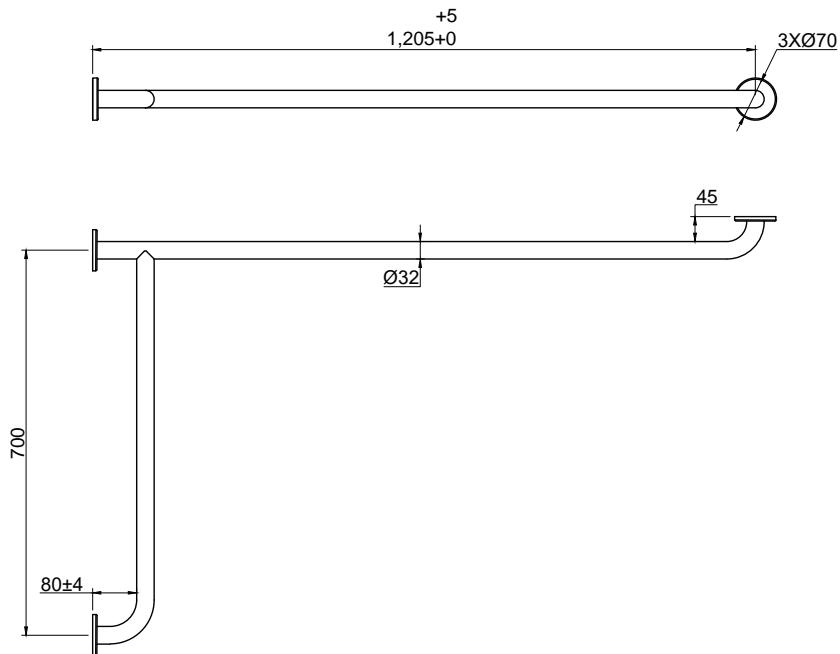
L-Shape Grab Bar

Product Specification

- Dimension : 1205 x 700 x Ø32mm
- Material : Stainless steel 304
- Finishing : Hairline
- Loading force : 1.3kN



Technical Drawing



All dimension are in mm.

Copyright © Rigel Technology. (S) Pte Ltd All rights reserved.

Rev	2.0
Date	17.06.2021

DISCLAIMER : While every effort has been made to ensure factual accuracy, the information presented is subject to changes due to requirements in different sites, markets and / or countries. Rigel reserves the right to make the necessary amendments at any time without prior notice.